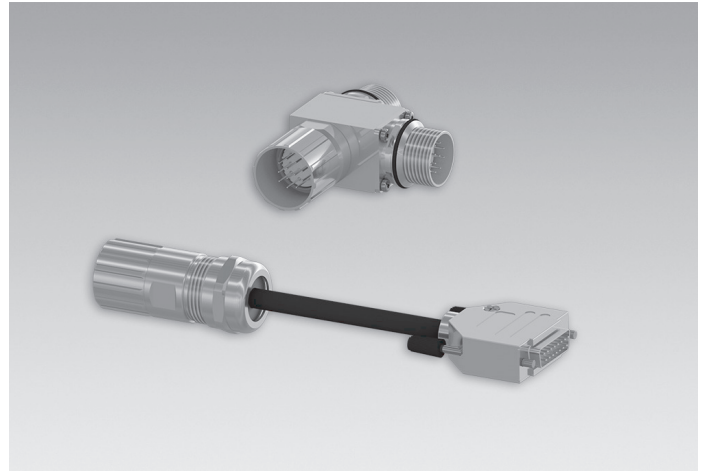


# Programming cable for the HMG10P/PMG10P SSI series with flange connector/s

Article number: 11191143

## Overview

- Adapter cable for programming the HMG10P/PMG10P SSI series with flange connector/s
- With D-SUB connector (male) for connection of encoders of HMG10/PMG10 SSI series with flange connector/s to the WLAN adapter Z-PA.SDL.1.
- The encoder can be connected to the WLAN adapter in ONLINE or OFFLINE mode.



## Technical data

### Technical data

Cable length	1 m
Connection	Connector D-SUB (male), 15-pin (Z-PA.SDL.1 WLAN adapter) Mating connector M23, 17-pin (encoder) Tee connector M23, 3x 17-pin (encoder, control)

## Scope of delivery

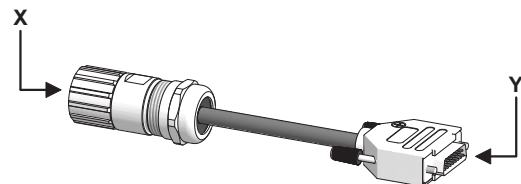
Mating connector M23, 17-pin, CCW with connecting cable and connector D-SUB (male) 15-pin (ONLINE and OFFLINE mode), tee connector M23, 3x 17-pin (ONLINE mode)

## Suitable for

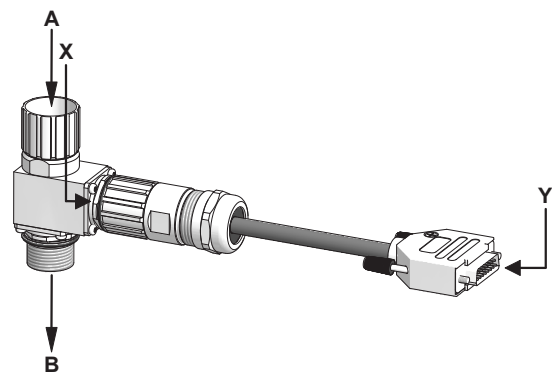
Z-PA.SDL.1 WLAN adapter, HMG10P/PMG10P

## OFFLINE/ONLINE mode

### OFFLINE mode



### ONLINE mode



# Programming cable for the HMG10P/PMG10P SSI series with flange connector/s

Article number: 11191143

## Terminal assignment

### View A

Connection to encoder HMG10P/PMG10P

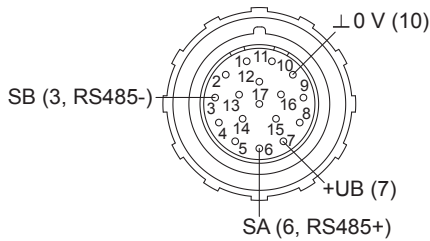
### View B

Loop-through signals of the encoder, connection to control

### View X

Programming interfaces for connection to the encoder

At the tee connector M23, the power supply for the encoder is not connected to the WLAN adapter (pin 7 + 10 are not connected).



### View Y

D-SUB connector (male) for connection to the WLAN adapter

