

# VLXT-31M.FO

Gigabit Ethernet, 3,1 Megapixel, Monochrome

Article number: 11208325

## Overview

- 2048 × 1536 px
- Sony IMX252
- 1/1.8" CMOS
- 217 fps
- 10 GigE



Picture similar



GEN<i>i>CAM



## Technical data

### Sensor information

Sensor	Sony IMX252 Gen2
Mono/Color	Mono
Sensor type	1/1.8" CMOS
Shutter type	Global shutter
Resolution	2048 × 1536 px
Pixel size	3.45 × 3.45 μm
Exposure time	0.001 ... 60000 ms

### Data quality (EMVA 1288 typical)

Dark noise	2.06 e-
Saturation capacity	9354 e-
Dynamic range	70.7 dB
Signal-to-noise ratio	39.7 dB
Quantum efficiency	65.5 % @ 536 nm

### Acquisition formats

Image formats, interface frame rate max.	Full Frame, 2048 × 1536 px, max. 217 fps Binning 2×2, 1024 × 768 px, max. 217 fps Binning 2×1, 1024 × 1536 px, max. 217 fps Binning 1×2, 2048 × 768 px, max. 217 fps
Image formats, acquisition frame rate max. (Burst Mode)	Full Frame, 2048 × 1536 px, max. 217 fps
Pixel formats	Mono8 Mono10 Mono12 Mono12 Packed

### Image preprocessing

Analog controls	Gain (0 ... 48 dB) Offset (0 ... 255 LSB 12 Bit)
-----------------	---

Color models	Mono
--------------	------

### Camera features

Basic Functions	Exposure Gain / Color Gain Trigger / Exposure Active (Flash) Binning 2x2 Partial Scan Offset Free Running Mode (Live Image) Multi ROI
-----------------	--

Auto Functions	Exposure Auto Gain Auto
----------------	----------------------------

Image Pre-processing	Image Flipping (X/Y) LUT / Gamma Shading Correction Edge Sharpening Noise Reduction
----------------------	---

Acquisition / Interface	Burst Mode Adjustable Framerate Short Exposure Time Enable Device Link Throughput Limit Internal Image Buffer
-------------------------	---

Synchronization	free running trigger
-----------------	-------------------------

Trigger sources	Hardware Software ActionCommand
-----------------	---------------------------------------

# VLXT-31M.FO

Gigabit Ethernet, 3,1 Megapixel, Monochrome

Article number: 11208325

## Technical data

### Camera features

Trigger delay	0 ... 2 sec, tracking and buffering of up to 256 trigger signals
Process Synchronization	<ul style="list-style-type: none"> <li>Events</li> <li>Timer</li> <li>Trigger Delay</li> <li>Debouncer</li> <li>Counter</li> <li>Sequencer</li> <li>Trigger via Action CMD (GigE)</li> <li>Action CMD Request ID</li> <li>Trigger ID inside Chunk</li> <li>Additional Output Modes (e.g. Trigger Ready)</li> <li>PWM (PWM Duration / PWM Duty Cycle)</li> <li>Selectable Output format (e.g. Tri State, Push Pull)</li> <li>Chunk data inside transferred image</li> <li>Encoder support via Counter End trigger source</li> <li>4 power outputs with up to 120 W (max. 48 V / 2.5 A)</li> </ul>
Time synchronization IEEE 1588	<ul style="list-style-type: none"> <li>IEEE 1588 / Master and Slave function</li> <li>IEEE 1588 / Scheduled Action CMD</li> <li>IEEE 1588 / Synchronized Acquisition</li> <li>Framerate</li> </ul>
Additional Functions	<ul style="list-style-type: none"> <li>User Set</li> <li>Integrated temperature sensor</li> <li>Readable additional information (e.g. sensor information)</li> <li>Save Custom Data</li> </ul>
Lens control	Corning liquid lens
Sequencer	Automated control for series of images using different sets of parameters
Sequencer parameter	<ul style="list-style-type: none"> <li>Exposure time</li> <li>gain factor</li> <li>Output</li> <li>ROI Offset x</li> <li>ROI Offset y</li> </ul>
Internal image buffer	<ul style="list-style-type: none"> <li>1024 MB</li> <li>330 images (Trigger Mode)</li> <li>1 image (Free Running Mode)</li> </ul>

### Interfaces and connectors

Data interface	10 Gigabit Ethernet, Transfer rate 10000 Mbits/sec, Connector: SFP+ cage
Process interface	M12 / 12 pins a-coded (SACC-CI-M12MS-12CON-L180)
Power supply	via M12/12 pins a-coded

### Mechanical data

Lens mount	C-mount
Width	60 mm
Height	60 mm
Depth	79.6 mm
Weight	≤ 415 g
Material	aluminum

### Electrical data

Voltage supply range +Vs	12 ... 24 V DC (external power supply)
Power consumption	Approx. 6.6 W @ 12 VDC and 119 fps

### Non-volatile memory

Flash memory size	128 kB
-------------------	--------

### Environmental conditions

Operating temperature	0 ... +65 ° @ T = measurement point
Humidity	10 ... 90 % (non-condensing)
Protection class	<ul style="list-style-type: none"> <li>IP 40</li> <li>IP 54 (with mounted tube and cable)</li> <li>IP 65 (with mounted tube and cable)</li> <li>IP 67 (with mounted tube and cable)</li> </ul>

### Digital I/Os

Lines	<ul style="list-style-type: none"> <li>2 input lines</li> <li>4 power output lines with pulse width modulation (PWM) (max. 48 V / max. 2,5 A)</li> <li>RS232</li> </ul>
-------	---

### Conformity

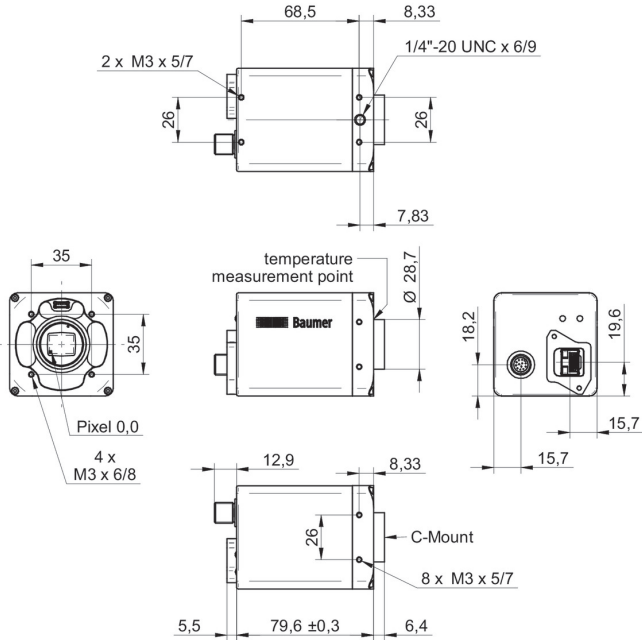
Conformity	<ul style="list-style-type: none"> <li>CE</li> <li>RoHS</li> <li>UL recognized</li> </ul>
------------	---

# VLXT-31M.FO

Gigabit Ethernet, 3,1 Megapixel, Monochrome

Article number: 11208325

## Dimension drawing



## Principle

Optional accessories for protection class IP 65/67:

